

8/S7
v 2.4 (en)



RADIATOR CONVECTOR

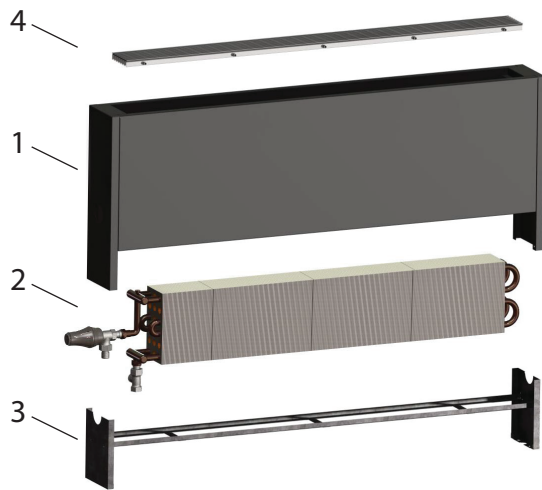
RK

TABLE OF CONTENTS

Floor version RKF.....	517
Wall version RKW.....	518
Accessories.....	519

Definition of symbols:

V	[m ³ /h]	- air flow rate	L	[m]	- window length
v _c	[m/s]	- cold jet velocity	t _{UL}	[°C]	- inlet air temperature
Δt _L	[°C]	- temperature difference	t _{UZ}	[°C]	- outlet air temperature
K	[W/m ² K]	- heat coefficient	Q _H	[W]	- heating output
Q	[W]	- heat output	Q _C	[W]	- cooling output
L _{WA}	[dB(A)]	- sound power level	Q _S	[W]	- sensible heat output
c _L	[kJ/kgK]	- specific heat coefficient of cold air	U	[V]	- voltage
b	[m]	- window width	I	[A]	- current
h	[m]	- window height	P	[W]	- electric motor rated power
ρ	[kg/m ³]	- air density	f	[Hz]	- frequency


RADIATOR CONVECTOR - RKF

- Case is made of steel sheet, powder coated in any RAL colour.
- Made in standard lengths from 600mm to 2800mm, three standard widths(140, 200, 270) and four standar heights (150, 250, 350, 450) are available.
- Heat exchanger is made of copper tubing with aluminium fins. Water connections are 1/2", inner thread.
- Heat exchanger is made fo water as a working medium, and designed for mean pressure 10 bar. Tested to 105°C and 25 bar.
- Heat capacities are in accordance with HRN EN 422.

Radiator convector consists of :

1. Casing
2. Heat exchanger
3. Frame subassembly
4. Covering grille

Model, design and size

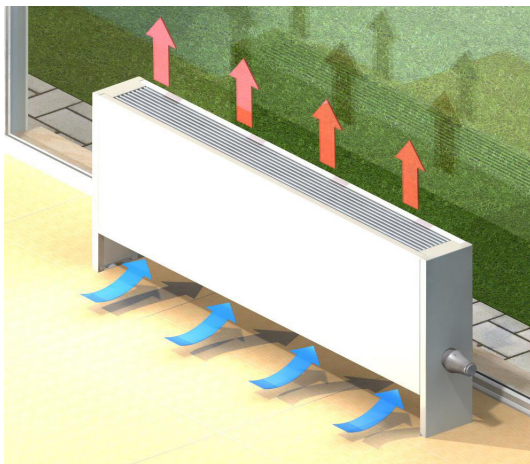
Wide range of product sizes and designs are available

Type: floor fixing

Covering grille model:

1. Perforated plate
2. Aluminium grille

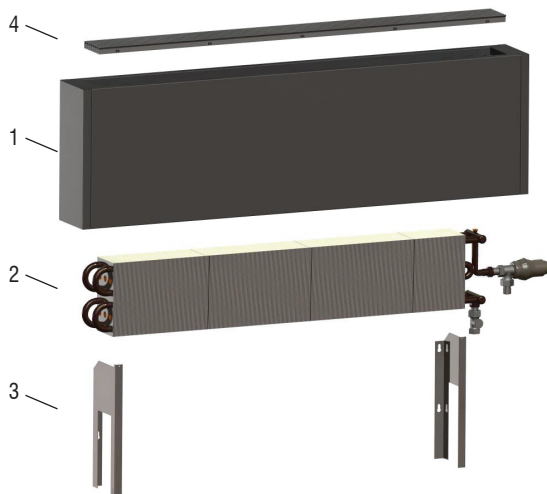
Case lengths: 600 - 2800mm
 Case widths: 150, 200, 270 mm
 Case heights: 150, 250, 350, 450 mm


Product selection software

• Software enables quick and easy selection of model based on a model, size and working regime. Gives information on a overall capacity, water flow and pressure drop.

Delivery

Standard delivery in white RAL 9010, with perforated plate and without water regulation element.
 All available accessories and RAL colours are listed on pages 72-73.



RADIATOR CONVECTOR - RKW

- Case is made of steel sheet, powder coated in any RAL colour.
- Made in standard lengths from 600mm to 2800mm, three standard widths(140, 200, 270) and three standar heights (250, 350, 450) are available.
- Heat exchanger is made of copper tubing with aluminium fins. Water connections are 1/2", inner thread.
- Heat exchanger is made fo water as a working medium, and designed for mean pressure 10 bar. Tested to 105°C and 25 bar.
- Heat capacities are in accordance with HRN EN 422.

Radiator convector consists of :

1. Casing
2. Heat exchanger
3. Frame subassembly
4. Covering grille

Model, design and size

Wide range of product sizes and designs are available

Type: floor fixing

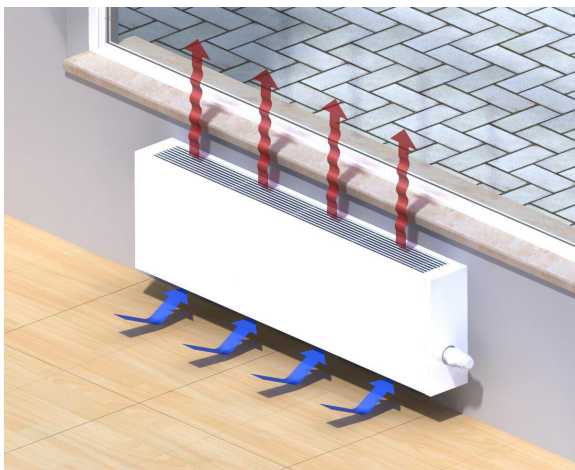
Covering grille model:

1. Perforated plate
2. Aluminium grille

Case lengths: 600 - 2800mm
 Case widths: 150, 200, 270 mm
 Case heights: 150, 250, 350, 450 mm

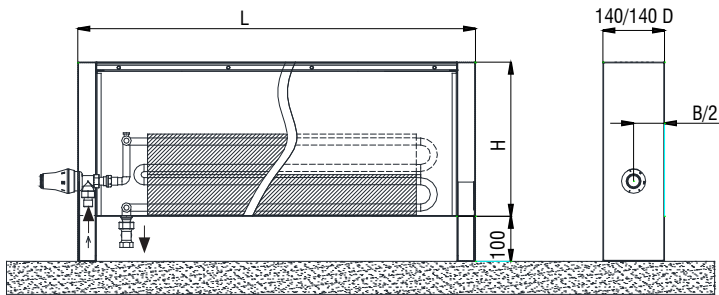
Product selection software

· Software enables quick and easy selection of model based on a model, size and working regime. Gives information on a overall capacity, water flow and pressure dorp.



Delivery

Standard delivery in white RAL 9010, with perforated plate and without water regulation element.
 All available accessories and RAL colours are listed on pages 72-73.

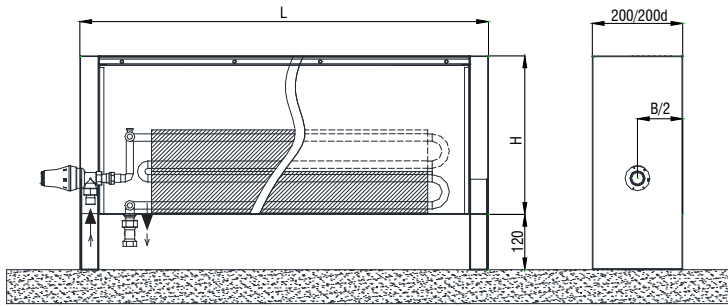
RK - type 140


RK - type 140													
H [mm]	L [mm]	600	800	1000	1200	1400	1600	1800	2000	2200	2400	2600	2800
150	90°C / 70°C / 20°C	483	644	805	966	1127	1288	1449	1610	1771	1932	2093	2254
	V _w [m³/h]	21	28	35	42	48	55	62	69	76	83	90	97
	75°C / 65°C / 20°C	371	495	619	743	867	991	1114	1238	1362	1486	1610	1734
	V _w [m³/h]	32	43	53	64	75	85	96	106	117	128	138	149
	55°C / 45°C / 20°C	178	237	297	356	415	475	534	593	653	712	771	831
V _w [m³/h]	15	20	26	31	36	41	46	51	56	61	66	71	
250	90°C / 70°C / 20°C	609	811	1014	1216	1418	1622	1824	2027	2230	2432	2635	2838
	V _w [m³/h]	26	35	44	52	61	70	78	87	96	105	113	122
	75°C / 65°C / 20°C	468	624	780	935	1091	1247	1403	1559	1715	1870	2027	2183
	V _w [m³/h]	40	54	67	80	94	107	121	134	147	161	174	188
	55°C / 45°C / 20°C	224	299	374	448	523	598	672	747	822	896	971	1046
V _w [m³/h]	19	26	32	39	45	51	58	64	71	77	84	90	
350	90°C / 70°C / 20°C	708	943	1180	1416	1651	1888	2122	2359	2595	2831	3068	3302
	V _w [m³/h]	30	41	51	61	71	81	91	101	112	122	132	142
	75°C / 65°C / 20°C	545	725	908	1089	1270	1452	1632	1814	1996	2177	2360	2540
	V _w [m³/h]	47	62	78	94	109	125	140	156	172	187	203	218
	55°C / 45°C / 20°C	261	348	435	522	609	696	782	869	956	1043	1131	1217
V _w [m³/h]	22	30	37	45	52	60	67	75	82	90	97	105	
450	90°C / 70°C / 20°C	790	1053	1316	1579	1842	2106	2368	2632	2895	3158	3422	3685
	V _w [m³/h]	34	45	57	68	79	91	102	113	124	136	147	158
	75°C / 65°C / 20°C	608	810	1012	1214	1417	1620	1821	2024	2227	2429	2632	2834
	V _w [m³/h]	52	70	87	104	122	139	157	174	191	209	226	244
	55°C / 45°C / 20°C	291	388	485	582	679	776	873	970	1067	1167	1261	1358
V _w [m³/h]	25	33	42	50	58	67	75	83	92	100	108	117	

RK - type 140 D (DOUBLE EXCHANGER)													
H [mm]	L [mm]	600	800	1000	1200	1400	1600	1800	2000	2200	2400	2600	2800
250	90°C / 70°C / 20°C	831	1108	1385	1662	1938	2216	2493	2769	3044	3323	3601	3877
	V _w [m³/h]	36	48	60	71	83	95	107	119	131	143	155	167
	75°C / 65°C / 20°C	639	852	1065	1278	1491	1704	1917	2130	2341	2556	2770	2982
	V _w [m³/h]	55	73	92	110	128	147	165	183	201	220	238	256
	55°C / 45°C / 20°C	306	408	510	613	714	817	919	1021	1122	1225	1327	1429
V _w [m³/h]	26	35	44	53	61	70	79	88	96	105	114	123	
350	90°C / 70°C / 20°C	936	1248	1561	1873	2186	2498	2809	3122	3434	3747	4058	4371
	V _w [m³/h]	40	54	67	81	94	107	121	134	148	161	174	188
	75°C / 65°C / 20°C	720	960	1201	1441	1681	1921	2160	2401	2641	2882	3121	3362
	V _w [m³/h]	62	83	103	124	145	165	186	206	227	248	268	289
	55°C / 45°C / 20°C	345	460	575	690	806	921	1035	1151	1266	1381	1496	1611
V _w [m³/h]	30	40	49	59	69	79	89	99	109	119	129	139	
450	90°C / 70°C / 20°C	1027	1369	1711	2053	2396	2739	3081	3423	3765	4107	4450	4792
	V _w [m³/h]	44	59	74	88	103	118	132	147	162	177	191	206
	75°C / 65°C / 20°C	790	1053	1316	1579	1843	2107	2370	2633	2896	3159	3422	3685
	V _w [m³/h]	68	91	113	136	158	181	204	226	249	272	294	317
	55°C / 45°C / 20°C	379	505	631	757	883	1010	1136	1262	1388	1514	1640	1766
V _w [m³/h]	33	43	54	65	76	87	98	108	119	130	141	152	

RADIATOR CONVECTOR - RK

RK - type 200

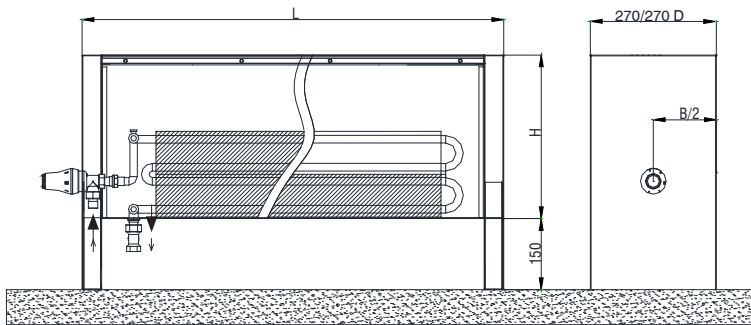


RK - type 200

H [mm]	L [mm]	600	800	1000	1200	1400	1600	1800	2000	2200	2400	2600	2800
150	90°C / 70°C / 20°C	845	1127	1409	1691	1973	2254	2536	2818	3100	3382	3663	3945
	V _w [m³/h]	35	48	61	73	85	97	109	121	133	145	158	170
	75°C / 65°C / 20°C	650	867	1084	1301	1517	1734	1950	2167	2384	2601	2817	3034
	V _w [m³/h]	56	75	93	112	130	149	168	186	205	224	242	261
	55°C / 45°C / 20°C	311	415	519	623	727	831	935	1039	1143	1246	1350	1454
	V _w [m³/h]	27	35	45	54	63	71	80	89	98	107	116	125
250	90°C / 70°C / 20°C	998	1332	1665	1999	2332	2664	2997	3331	3664	3997	4329	4663
	V _w [m³/h]	43	57	72	86	100	115	127	143	158	172	186	201
	75°C / 65°C / 20°C	765	1021	1276	1532	1787	2041	2297	2553	2808	3063	3317	3573
	V _w [m³/h]	66	88	110	132	154	176	198	220	241	263	285	307
	55°C / 45°C / 20°C	363	484	605	727	848	968	1089	1211	1332	1453	1574	1695
	V _w [m³/h]	31	42	52	62	73	83	94	104	115	125	135	146
350	90°C / 70°C / 20°C	1150	1533	1917	2302	2685	3069	3451	3835	4219	4602	4986	5368
	V _w [m³/h]	49	66	82	99	115	132	148	165	181	198	214	232
	75°C / 65°C / 20°C	881	1175	1469	1764	2057	2352	2644	2939	3233	3526	3821	4113
	V _w [m³/h]	76	101	126	152	177	202	227	253	278	303	329	354
	55°C / 45°C / 20°C	418	557	697	837	976	1116	1254	1394	1534	1673	1812	1951
	V _w [m³/h]	36	48	60	72	84	96	108	120	132	144	156	168
450	90°C / 70°C / 20°C	1269	1693	2116	2539	2963	3385	3809	4231	4655	5079	5501	5924
	V _w [m³/h]	55	73	91	109	127	146	164	182	200	218	237	255
	75°C / 65°C / 20°C	972	1297	1621	1946	2271	2594	2919	3242	3567	3892	4215	4540
	V _w [m³/h]	84	112	139	167	195	223	251	279	307	335	363	390
	55°C / 45°C / 20°C	461	615	769	923	1077	1230	1385	1538	1692	1846	2000	2153
	V _w [m³/h]	40	53	66	79	93	106	119	132	146	159	172	185

RK - type 200 D (DOUBLE EXCHANGER)

H [mm]	L [mm]	600	800	1000	1200	1400	1600	1800	2000	2200	2400	2600	2800
250	90°C / 70°C / 20°C	1100	1467	1834	2200	2567	2934	3300	3667	4034	4400	4767	5134
	V _w [m³/h]	47	63	79	95	110	126	142	158	173	189	205	221
	75°C / 65°C / 20°C	843	1124	1405	1686	1967	2248	2529	2810	3091	3372	3653	3934
	V _w [m³/h]	72	97	121	145	169	193	217	242	266	290	314	338
	55°C / 45°C / 20°C	400	533	667	800	933	1066	1200	1333	1466	1599	1733	1866
	V _w [m³/h]	34	46	57	69	80	92	103	115	126	138	149	160
350	90°C / 70°C / 20°C	1264	1686	2107	2529	2951	3373	3793	4215	4637	5058	5480	5901
	V _w [m³/h]	54	72	91	109	127	145	163	181	199	217	236	254
	75°C / 65°C / 20°C	969	1292	1615	1938	2261	2585	2907	3230	3553	3876	4199	4522
	V _w [m³/h]	83	111	139	167	194	222	250	278	306	333	361	389
	55°C / 45°C / 20°C	459	613	766	919	1073	1226	1379	1532	1686	1839	1992	2145
	V _w [m³/h]	40	53	66	79	92	105	119	132	145	158	171	184
450	90°C / 70°C / 20°C	1413	1883	2355	2826	3297	3768	4238	4709	5181	5652	6123	6593
	V _w [m³/h]	61	81	101	122	142	162	182	202	223	243	263	283
	75°C / 65°C / 20°C	1083	1443	1805	2166	2526	2887	3248	3608	3970	4331	4692	5052
	V _w [m³/h]	61	124	155	186	217	248	279	310	341	372	404	434
	55°C / 45°C / 20°C	514	684	856	1027	1198	1370	1540	1712	1883	2054	2226	2397
	V _w [m³/h]	44	59	74	88	103	118	132	147	162	177	191	206


RK - type 270


RK - type 270													
H [mm]	L [mm]	600	800	1000	1200	1400	1600	1800	2000	2200	2400	2600	2800
150	90°C / 70°C / 20°C	1129	1506	1881	2257	2634	3010	3387	3763	4138	4515	4892	5269
	V _w [m³/h]	49	65	81	97	113	129	146	162	178	194	210	227
	75°C / 65°C / 20°C	873	1165	1455	1745	2037	2328	2619	2910	3200	3492	3783	4075
	V _w [m³/h]	75	100	125	150	175	200	225	250	275	300	325	350
	55°C / 45°C / 20°C	425	567	708	849	991	1133	1275	1416	1557	1699	1841	1983
V _w [m³/h]	37	49	61	73	85	97	110	122	134	146	158	171	
250	90°C / 70°C / 20°C	1402	1869	2335	2803	3269	3737	4204	4671	5138	5605	6072	6540
	V _w [m³/h]	60	80	100	121	141	161	181	201	221	241	261	281
	75°C / 65°C / 20°C	1070	1427	1783	2140	2496	2853	3210	3566	3923	4279	4636	4993
	V _w [m³/h]	92	123	153	184	215	245	276	307	337	368	399	429
	55°C / 45°C / 20°C	503	670	837	1005	1172	1340	1507	1675	1842	2009	2177	2345
V _w [m³/h]	43	58	72	86	101	115	130	144	158	173	187	202	
350	90°C / 70°C / 20°C	1611	2148	2685	3221	3758	4297	4834	5370	5907	6444	6982	7518
	V _w [m³/h]	69	92	115	139	162	185	208	231	254	277	300	323
	75°C / 65°C / 20°C	1230	1640	2050	2459	2869	3281	3691	4100	4510	4920	5331	5740
	V _w [m³/h]	106	141	176	211	247	282	317	353	388	423	458	494
	55°C / 45°C / 20°C	578	770	963	1155	1347	1540	1733	1925	2118	2310	2503	2695
V _w [m³/h]	50	66	83	99	116	132	149	166	182	199	215	232	
450	90°C / 70°C / 20°C	1776	2367	2959	3551	4143	4735	5327	5919	6510	7101	7693	8285
	V _w [m³/h]	76	102	127	153	178	204	229	255	280	305	342	356
	75°C / 65°C / 20°C	1356	1807	2259	2711	3163	3615	4067	4519	4970	5422	6080	6326
	V _w [m³/h]	117	155	194	233	272	311	350	389	427	466	523	544
	55°C / 45°C / 20°C	637	849	1061	1273	1485	1697	1910	2122	2334	2546	2855	2970
V _w [m³/h]	55	73	91	109	128	146	164	182	201	219	245	255	

RK - type 270 (DOUBLE EXCHANGER)													
H [mm]	L [mm]	600	800	1000	1200	1400	1600	1800	2000	2200	2400	2600	2800
250	90°C / 70°C / 20°C	1452	1934	2419	2903	3386	3870	4358	4837	5321	5805	6288	6722
	V _w [m³/h]	62	83	104	125	146	166	187	208	229	250	270	289
	75°C / 65°C / 20°C	1109	1477	1847	2216	2585	2955	3327	3693	4063	4432	4801	5132
	V _w [m³/h]	95	127	159	191	222	254	286	318	349	381	413	441
	55°C / 45°C / 20°C	521	693	867	1041	1214	1387	1562	1734	1908	2081	2254	2410
V _w [m³/h]	45	60	75	89	104	119	134	149	164	179	194	207	
350	90°C / 70°C / 20°C	1697	2262	2828	3393	3960	4529	5090	5655	6222	6788	7352	7918
	V _w [m³/h]	73	97	122	146	170	195	219	243	268	292	316	340
	75°C / 65°C / 20°C	1296	1727	2159	2591	3023	3454	3886	4318	4751	5183	5613	6045
	V _w [m³/h]	111	149	186	223	260	297	334	371	409	446	483	520
	55°C / 45°C / 20°C	608	811	1014	1216	1420	1622	1825	2027	2231	2433	2636	2839
V _w [m³/h]	52	70	87	105	122	139	157	174	192	209	227	244	
450	90°C / 70°C / 20°C	1929	2573	3216	3858	4502	5145	5788	6432	7074	7718	8360	9004
	V _w [m³/h]	83	111	138	166	194	221	249	277	304	332	359	387
	75°C / 65°C / 20°C	1473	1964	2455	2946	3437	3928	4419	4911	5401	5893	6383	6875
	V _w [m³/h]	127	169	211	253	296	338	380	422	464	507	549	591
	55°C / 45°C / 20°C	692	922	1153	1383	1614	1844	2075	2306	2536	2767	2997	3228
V _w [m³/h]	59	79	99	119	139	159	178	198	218	238	258	278	

PRODUCT SELECTION SOFTWARE

On Klimaoprema website (www.klimaoprema.hr) you can find our selection software. It allows you to define model, size and type of radiator convector. Input variables are heat capacity, water flow and pressure drop.


Program za odabir radijator konvektora

Izračunaj Grijanje
Tip PRK200 Prirodna konvekcija
Sustav Podni RKF
Visina 250

Duljina - L [mm] 1600

Grijanje

Ulazna temperatura zraka - Ton [°C] 20


Ulazna temperatura vode - Tin [°C] 75

Izlazna temperatura vode - Tout [°C] 65

Izračunaj

Štampaj

PRK200 250-1600-RKF	
GRIJANJE	
Kapacitet grijanja Qh[W]	2041
Protok vode m ³ /kg/h	176
Pad tlaka dp[Pa]	285

Oprema


<input type="checkbox"/>	0001	Termostatski ventil kutni 1/2"
<input type="checkbox"/>	0002	Termostatski ventil kutni 3/4"
<input type="checkbox"/>	0005	Prigušnica kutna 1/2"
<input type="checkbox"/>	0006	Prigušnica kutna 3/4"
<input type="checkbox"/>	0007	Prigušnica ravna 1/2"
<input type="checkbox"/>	0008	Prigušnica ravna 3/4"
<input type="checkbox"/>	0009	Termostatska glava s udaljenim regulatorom i osjetnikom 2,5,8 metara
<input type="checkbox"/>	0010	Termostatska glava s udaljenim regulatorom i osjetnikom 2,5,8 metara
<input type="checkbox"/>	0011	Termostatska glava s udaljenim regulatorom i osjetnikom 2,5,8 metara
<input type="checkbox"/>	0017	Gibljiva spojnica M2, 1/2"-L=350 mm
<input type="checkbox"/>	0018	Gibljiva spojnica M2, 3/4"-L=350 mm
<input type="checkbox"/>	0025	Kuglasti ventil-servisni ventil 1/2"leptir verzija
<input type="checkbox"/>	0026	Radijatorski ventil 1/2"
<input type="checkbox"/>	0027	Termostatska glava
<input type="checkbox"/>	0058	Radijatorski ventil 3/4"
<input type="checkbox"/>	0101	Termostatska glava RAL 9010
<input type="checkbox"/>	0102	Termostatska glava RAL 9016
<input type="checkbox"/>	0103	Termostatska glava RAL 9005
<input type="checkbox"/>	0104	Termostatska glava brušeno
<input type="checkbox"/>	0105	Termostatska glava chrom
<input type="checkbox"/>	0106	Termostatska glava chrom/bijela
<input type="checkbox"/>	0107	Čelična perforirana rešetka,plastificirana u boju kućišta
<input type="checkbox"/>	0108	Linerna fiksna rešetka OAB profil eloksirana u natural aluminij

PRK200 250-1600-RKF

ACCESSORIES


QL-006
Thermostatic valve angular
1/2"



QL-010
Shut off cock, straight 1/2"



0027
Thermostat head
Collection S



QL - 022
Thermostat head - RAL
9016



QL - 026
Thermostat head - White /
chrome



QL - 023
Thermostat head - RAL
9005



QL - 024
Thermostat head - metal
matte



QL - 025
Thermostat head - metal
chrome



QL-107
Cover grille -
perforated plate (standard)



QL-108
Cover grille
- linear fixed

Ordering key

Type	RKF - 150 - 600 - 140D - L - RAL...
RKW - wall radiator convector	
RKF - floor radiator convector	
Height	
150	
250	
350	
450	
Length	
600-2800	
Width	
140	
200	
270	
D : double heat exchanger	
Water connection	L - left side
	D - right side

Accessories

- QL-xxx